



SAFETY RECALL

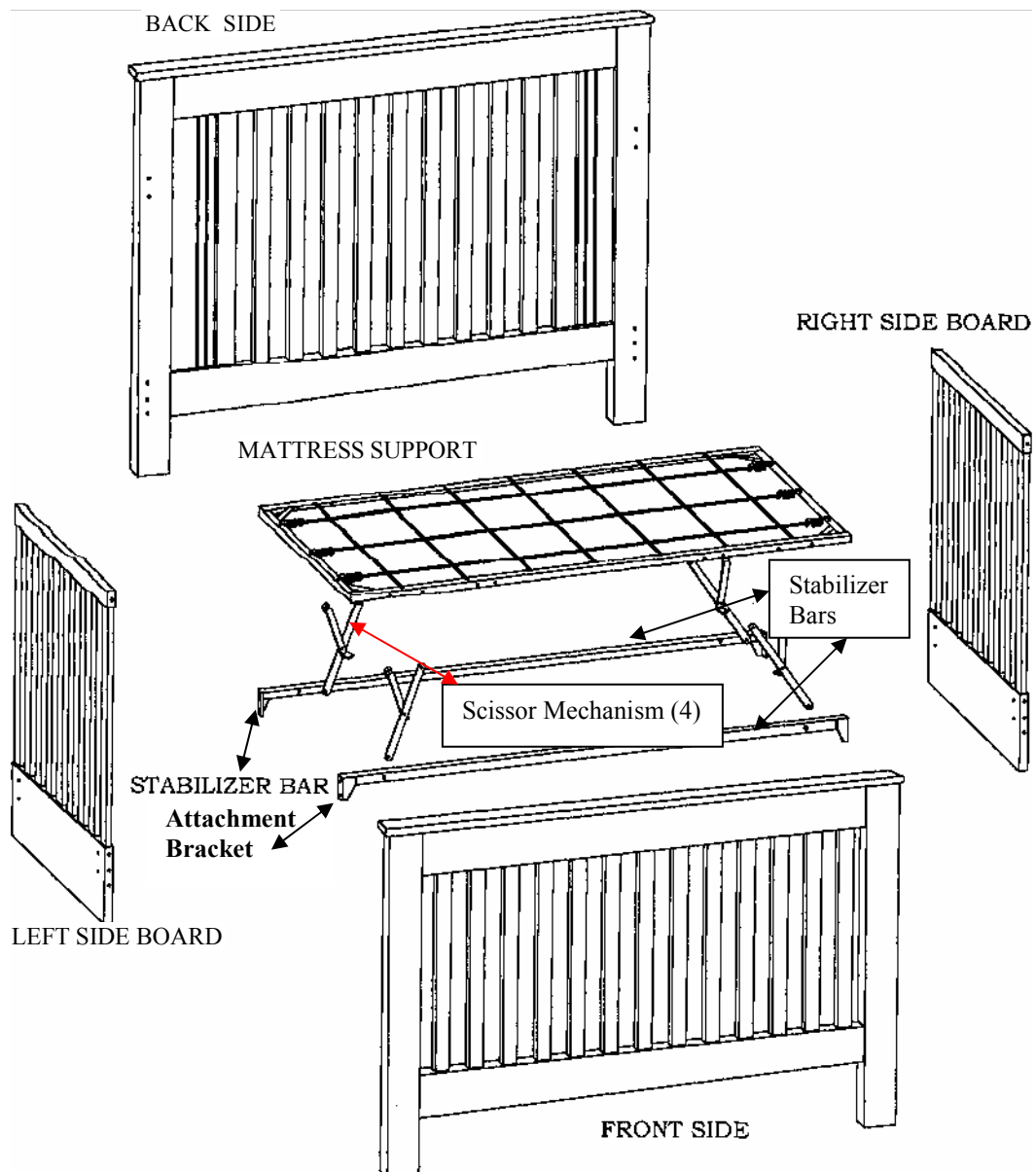
IMPORTANT SAFETY INSTRUCTIONS FOR ROTATION OF STABILIZER BARS

LOWEST POSITION STABILIZER BAR & MATTRESS SUPPORT ASSEMBLY INSTRUCTIONS

**Model # 210; 215;
320; 1900-350**

- For cribs with date codes 0306 to 0308 on the crib label -

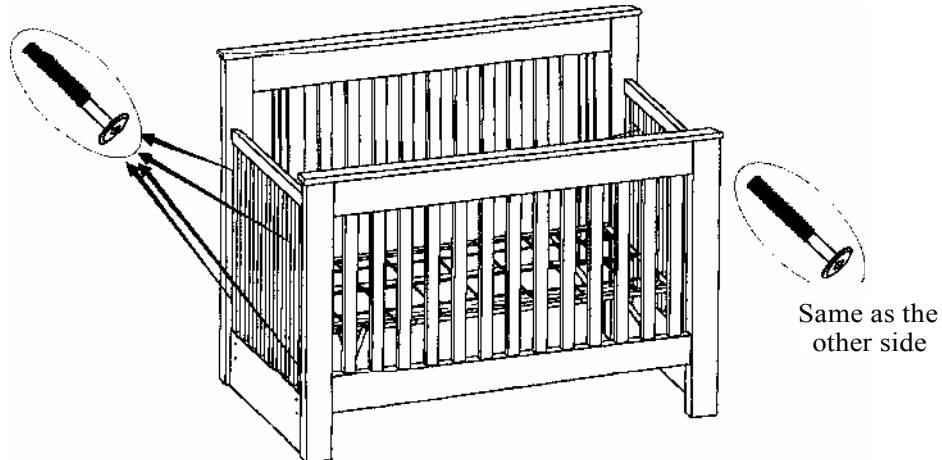
SUBASSEMBLIES & PARTS



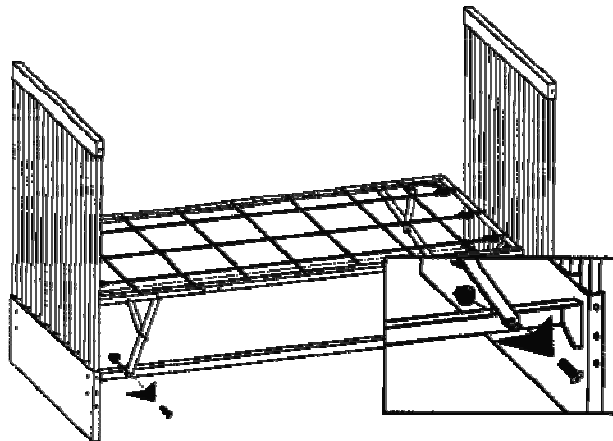
! Please keep these instructions together with the original ones that came with the crib so they are available if you ever need to consult them again.

To bring the mattress support to its lowest position please follow these steps.

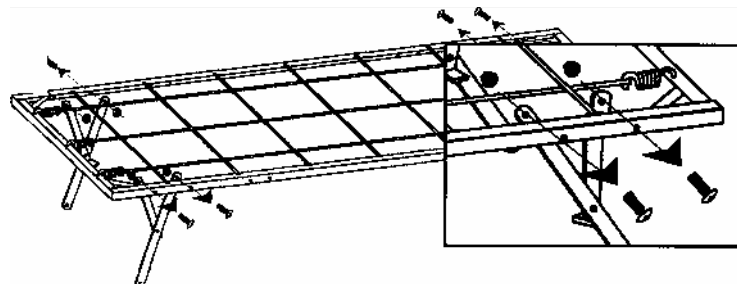
STEP 1 Remove the Back Side and the Front Side from the assembly.
After removing the 8 screws, the parts can be easily removed.



STEP 2 Detach the mattress support from the Stabilizer Bars by unscrewing the bolts that connect the four scissor mechanisms to the bars.

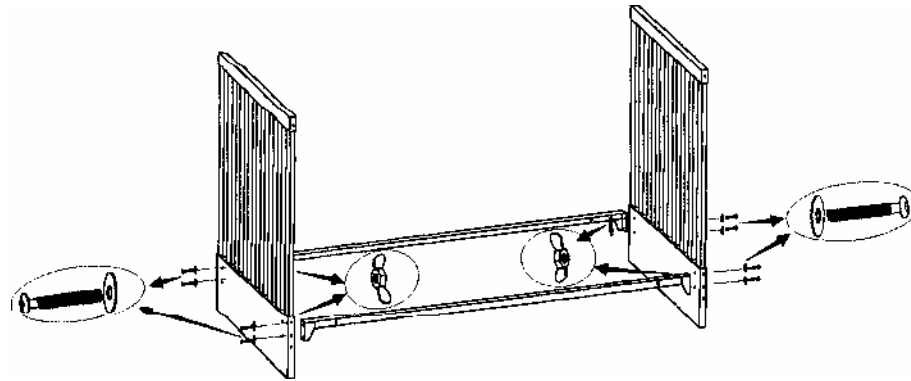


STEP 3 Remove the four scissor mechanisms from the mattress support.!!

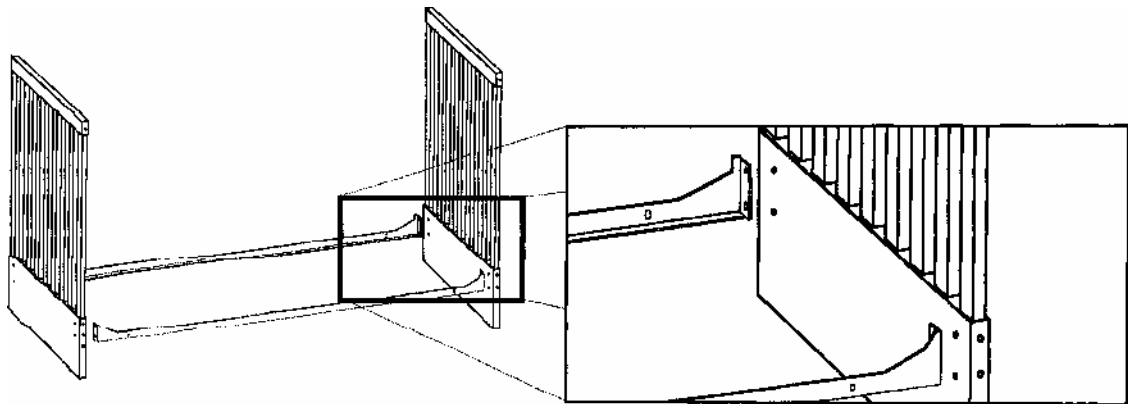


!! After removing the Scissor Mechanisms from the Mattress Support, store them together with the nuts and bolts. If needed, they can be reused again at a later time.

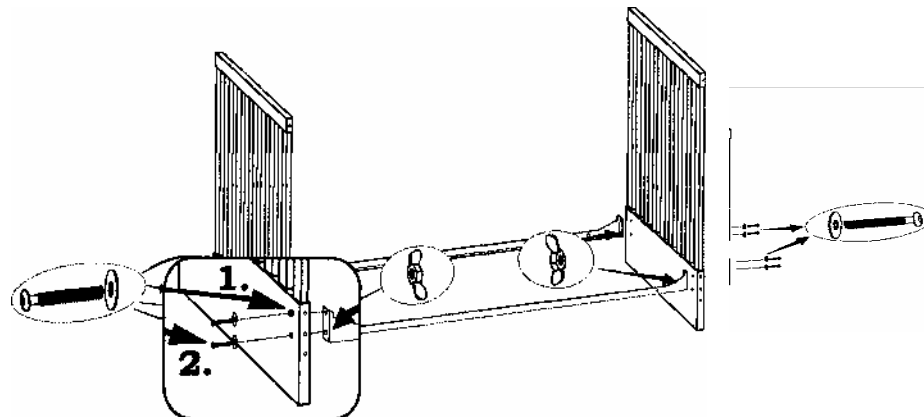
STEP 4 Detach the Stabilizer Bars by removing the wing nuts, bolts and washers that connect the bars to the crib side panels. **Save the wing nuts, washers and bolts for steps no. 6 and 7c.**



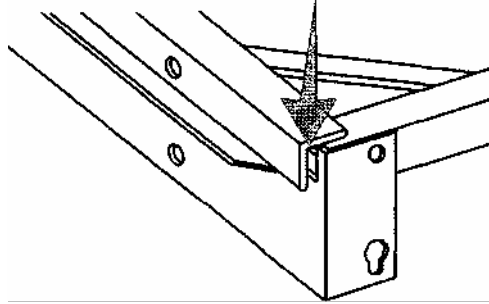
STEP 5 Rotate the Stabilizer Bars so that the attachment brackets face upward, positioning them as shown in the illustration below.



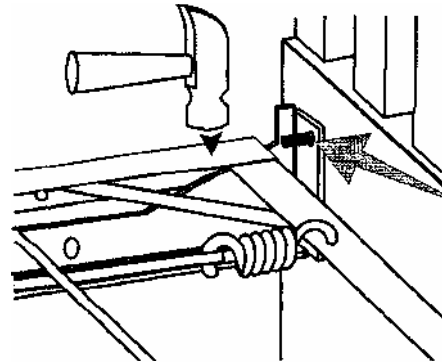
STEP 6 Insert bolts through the top holes of each Side Panel to fit each Stabilizer Bar in its proper position with the bracket facing upward. Do not attach the wing nuts yet. Then insert bolts through the lower hole of Side Panel and into the ends of each Stabilizer Bar. Secure the lower bolts in place. **Fasten the wing nuts on the lower bolts only** and tighten fully.



- STEP 7a** Position the Mattress Support over the Stabilizer Bars so that the gap at each corner of the Mattress Support aligns with one of the shoulders of the Stabilizer Bar brackets.
Press each corner of the support a little to hold it in place.

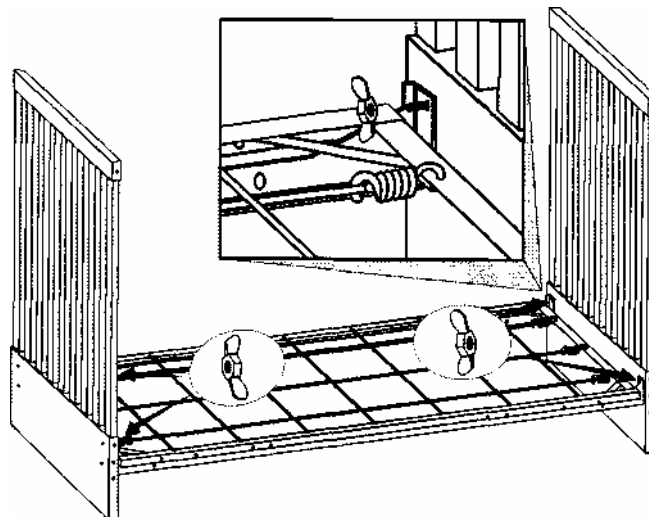


- STEP 7b** Using a hammer, hit each corner of the Mattress Support to lock the lip of the Mattress Support over each shoulder of the Stabilizer Bar attachment bracket. Make sure the rim of the support clears the upper hole on the bracket and the protruding bolt.

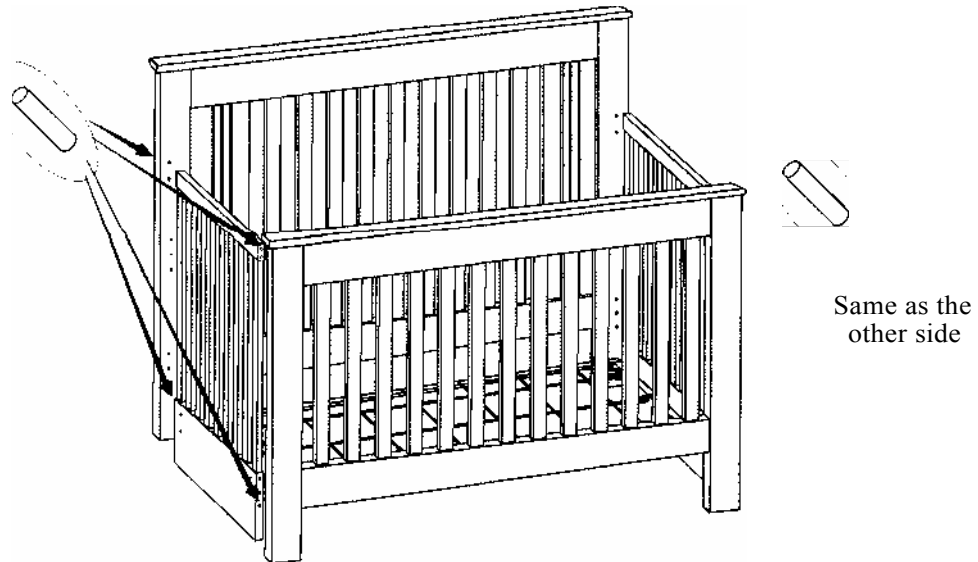


The top bolt must clear the top of the frame.

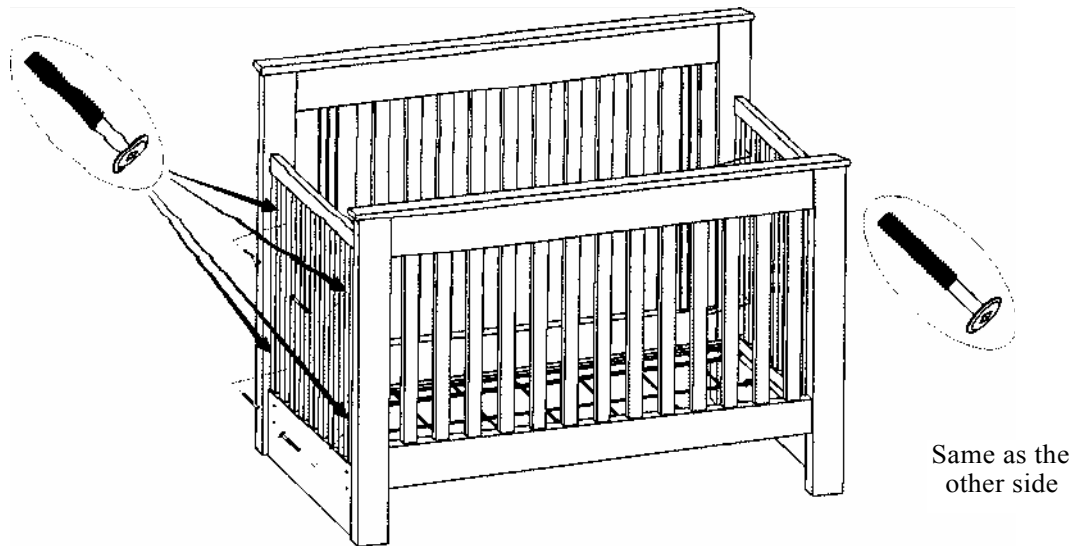
- STEP 7c** Fasten the remaining four top wing nuts on to the upper bolts and tighten. You may need to use the Allen wrench that came with the crib to tighten the upper wing nuts



STEP 8 Make sure the dowels are still located in the holes on the Side Boards. Install the Head Board, match the holes and press the parts together.



STEP 9 Use the Screws for the Side Boards to tighten the assembly. The same has to be repeated for the foot board. **TIGHTEN FULLY!**



NOTE

Do not throw away the original instructions that came with the crib or these instructions either. You will need both sets of instructions at a later date to reuse the crib with the mattress at its highest position.
Do not throw away the scissors mechanisms or the nuts and bolts. You may need them if you put the mattress to its highest position at a later date.