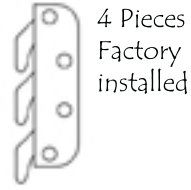
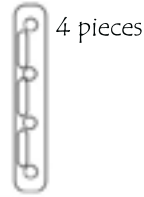




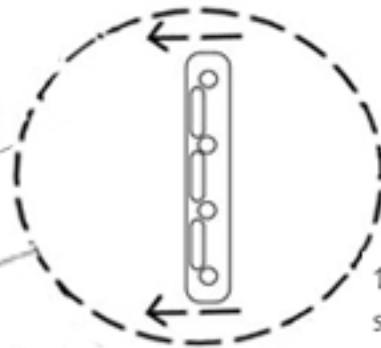
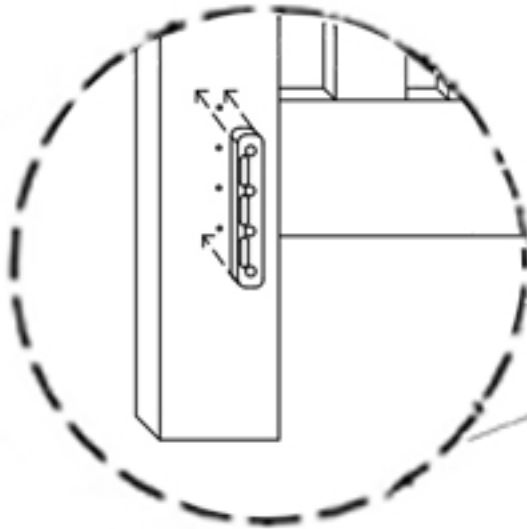
Mother Hubbard's
bedrooms of your dreams for babies, tots, & teens
www.mhcfurniture.com

Conversion Kit Installation Instructions

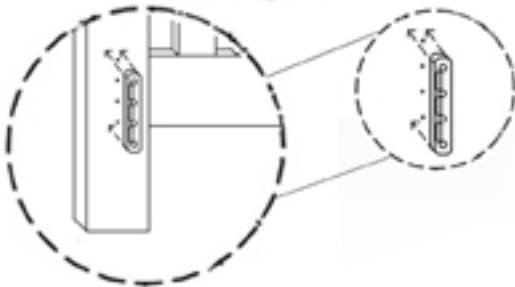
Included: 16x1" screws for hardware



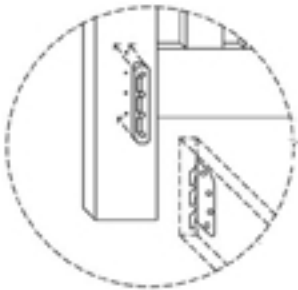
6 bed rails, pre_drilled
12-#8x1" screws



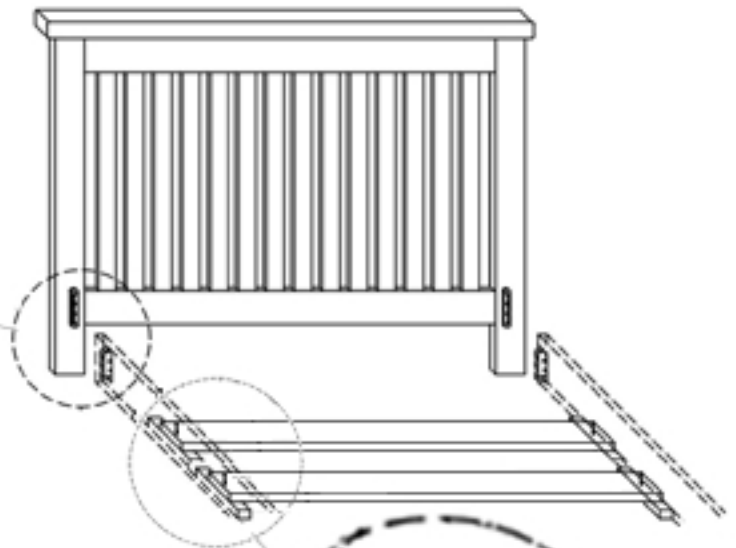
1.) Place bracket as shown on diagram with slots facing out



2.) Screw into place using provided screws into pre-drilled holes



3.) Insert side rail with factory installed bracket into slots and push down



4.) Place mattress supports rails on the lip of side rails on both sides of bed as shown on diagram

