



**Mother Hubbard's**  
bedrooms of your dreams for babies, tots, and teens

# Model#

14 Brisbane Rd. Toronto, ON Canada M3J 2J8  
Tél.: (416) 661-8201; Fax: (416) 661-3305  
Www.mhcfurniture.com

## CANADIAN REGULATIONS



## REGLEMENTATIONS CANADIENNES

DO NOT REMOVE THIS POUCH FROM SPRING UNIT!  
AFTER CRIB HAS BEEN COMPLETELY  
ASSEMBLED, STORE INSTRUCTION SHEET IN THIS  
POUCH FOR FUTURE REFERENCE.

NE PAS RETIRER CE SACHET OU RESSORT OU LIT!  
APRES L'ASSEMBLAGE COMPLET DU LIT,  
CONSERVEZ CETTE NOTICE D'UTILISATION DANS  
CE SACHET.

### WARNING

- ✦ Do not use this crib if the enclosed or attached instructions cannot be strictly adhered to.
- ✦ Do not use this crib if the child is able to climb out unaided or is taller than 90 cm (35 inches).
- ✦ Do not place cords, straps or similar items that could become wound around the child's neck in or near this crib.
- ✦ Ensure that the sides are properly latched or locked in place when the crib is occupied.
- ✦ The mattress used with this crib should not be more than 15 cm (6 inches) thick and should be of such length and width that gap between the mattress and the sides of the crib is not more than 3 cm (1 1/4 inches) when the mattress is pushed into the corner of the crib.
- ✦ Parents should ensure a safe environment for the child by checking regularly, before placing the child in the product, that every component is properly and securely in place.

### MISE EN GARDE

- ✦ Ne pas utiliser le lit d'enfant à moins d'être en mesure de respecter rigoureusement le mode d'emploi ci-joint ou apposé sur le produit.
- ✦ Ne pas utiliser le lit d'enfants si l'enfant est capable d'en sortir sans aide ou si l'enfant mesure plus de 90 cm (35 pouces).
- ✦ Ne pas mettre dans le lit, ou à proximité du lit des cordes courroies ou objets semblables qui pourraient s'enrouler autour du cou de l'enfant.
- ✦ S'assurer que les cotes sont bien enclenchées ou verrouillées lorsque l'enfant est placé dans le lit.
- ✦ L'épaisseur du matelas utilisé dans le lit ne doit pas être supérieure à 15 cm (6 pouces) et sa longueur et sa largeur doivent être telles que l'espace entre le matelas et les coins au lit ne soit pas supérieur à 3 cm (1 1/4 pouce) lorsque le matelas est poussé dans un des coins.
- ✦ S'il vous plaît assurez un environnement sécuritaire pour les enfants en vérifiant régulièrement. Avant de placer l'enfant dans ce produit, assurez que chaque composant est sécuritaire et solidement en place.



## UNITED STATES REGULATIONS

### **IMPORTANT: DO NOT REMOVE THIS POUCH FROM SPRING UNIT!**

AFTER CRIB HAS BEEN COMPLETELY ASSEMBLED, STORE INSTRUCTION SHEET IN THIS POUCH.

### WARNING

FAILURE TO FOLLOW THIS WARNINGS AND ASSEMBLY INSTRUCTIONS COULD RESULT IN SERIOUS INJURY OR DEATH.

BEFORE EACH USAGE OR ASSEMBLY, INSPECT CRIB FOR DAMAGED HARDWARE, LOOSE JOINTS, MISSING PARTS OR SHARP EDGES. DO NOT USE CRIB IF ANY PARTS ARE MISSING OR BROKEN, ASK YOUR DEALER FOR REPLACEMENT PARTS AND INSTRUCTIONAL LITERATURE IF NEEDED. DO NOT SUBSTITUTE PARTS. AFTER RAISING SIDE, MAKE SURE LATCHES ARE SECURE.

WHEN CHILD IS ABLE TO CLIMB OUT OR REACHES THE HEIGHT OF 35 IN. (90 CM), THE CRIB SHALL NO LONGER BE USED.

DO NOT PLACE CRIB NEAR WINDOW WHERE CORDS FROM BLINDS OR DRAPES MAY STRANGLE A CHILD, IF REFINISHING, USE A NON-TOXIC FINISH SPECIFIED FOR CHILDREN'S PRODUCTS.

DO NOT USE A WATER MATTRESS WITH THIS CRIB.

**CAUTION: ANY MATTRESS USED IN THIS CRIB MUST BE AT LEAST 27 1/4 BY 51 5/8 INCHES WITH A THICKNESS NOT EXCEEDING 6 INCHES.**

*Mother Hubbard's Cupboards*

14 Brisbane Rd. Toronto, ON Canada M3J 2J8

Tel.: (416) 661-8201; Fax: (416) 661-3305

[www.mhcfurniture.com](http://www.mhcfurniture.com)**CRIB ASSEMBLY INSTRUCTIONS**

Thank you for selecting a **MOTHER HUBBARD'S CUPBOARDS** product.

To ensure the best performance from your crib, please read these instructions carefully. If you have any questions or concerns, notify us and we will gladly assist you.

Due to weather patterns and nature, no two trees are alike. One tree can vary in texture, grains and density. This causes the acceptance of stains and sealers to vary. This is the mystery of wood. Knots, blemishes and swirls can appear. These patterns are the elegance and beauty of wood.

Even though we make every effort to bring you the very best style and quality, there will be instances where nature, and not man will decide the look of your furniture.

Carefully remove and lay out all parts. Familiarize yourself with all diagrams. Parts enclosed in hardware bag should correspond with the parts list. Be sure all parts are included, and quantities are correct. You will need a flat head screwdriver, a pair of pliers, Phillips head screwdriver, Allen key, hammer and a small piece of wood.

**WARNING****Your child's safety is important, please read the safety warning**

Parents should ensure a safe environment for the child by regularly checking that every component is securely in place **BEFORE** placing the child into the crib.

Before each usage or assembly, inspect the crib for damaged hardware, loose joints, missing parts, or sharp edges. **DO NOT** use the crib if any parts are missing or broken. Contact your dealer or **MOTHER HUBBARD'S CUPBOARDS** for replacement parts and/or instructional literature.

**DO NOT** substitute parts.

Upon completion of assembly be sure all screws, bolts and fastening devices have been tightened securely. Be sure to do a periodic check to ensure this.

**CLEANING**

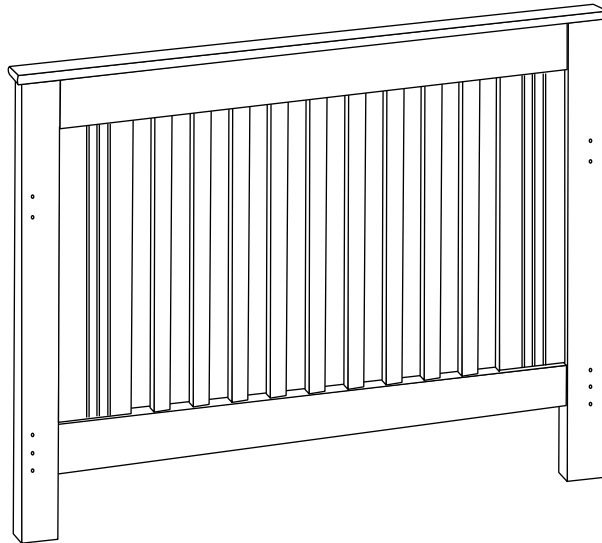
Mix a mild dishwasher liquid and water solution, apply to crib surface with a soft cloth lightly dampened in the solution. After cleaning, dry all surfaces thoroughly with a soft dry cloth. No abrasive cleaners, scouring pads, steel wool or coarse rags should be used to clean this furniture.

**KEEP ASSEMBLY INSTRUCTIONS WITH YOUR CRIB FOR FUTURE REFERENCE**

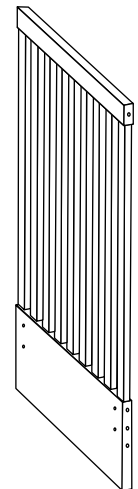
**SUBASSEMBLIES & PARTS**

**IMPORTANT NOTE: THESE ASSEMBLY INSTRUCTIONS APPLY TO ALL CRIBS MANUFACTURED BY OUR COMPANY, THEREFORE THE ILLUSTRATIONS MAY NOT REPRESENT YOUR SPECIFIC MODEL.**

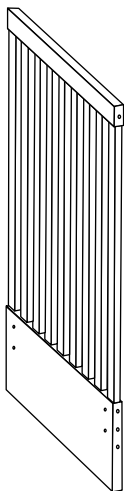
BACK SIDE



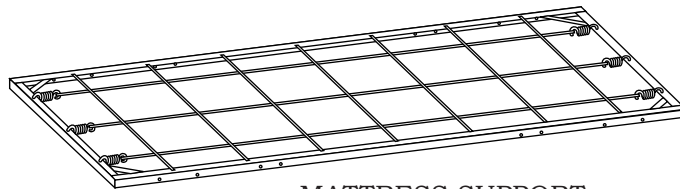
RIGHT SIDE BOARD



LEFT SIDE BOARD



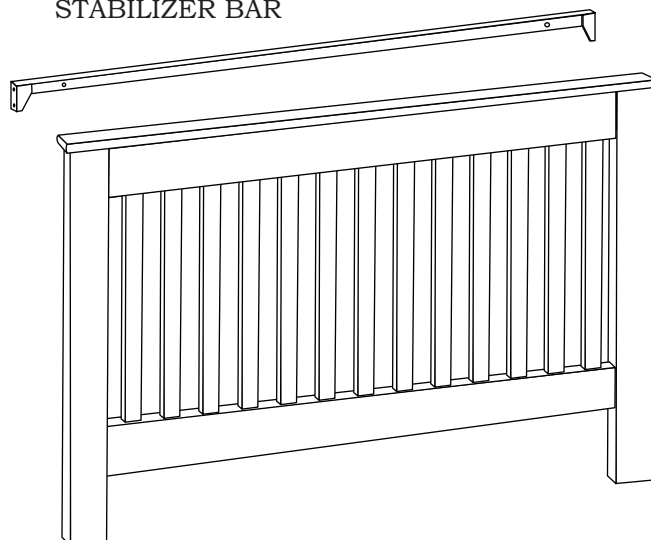
MATTRESS SUPPORT



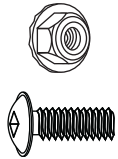
STABILIZER BAR



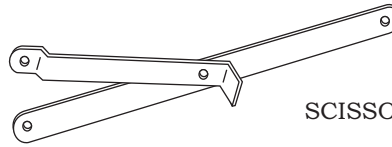
FRONT SIDE



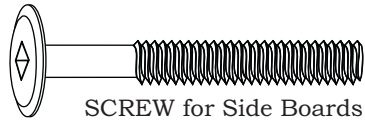
**HARDWARE**



NUT & SCREW  
for Scissor  
Mechanism 12 pcs



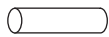
SCISSOR MECHANISM 2 pairs



SCREW for Side Boards 8 pcs



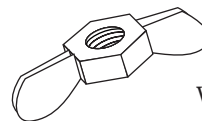
SCREW for Stabilizer Bar 8 pcs



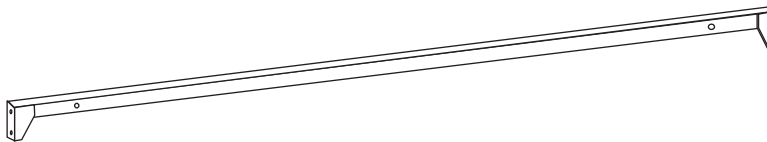
DOWEL for the Side Boards 8 pcs



WASHER for Stabilizer Bar 8 pcs

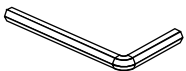


WING NUT for Stabilizer Bar 8 pcs

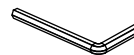


STABILIZER BAR 2 pcs

**NECESSARY TOOLS**



ALLEN WRENCH



ALLEN WRENCH

**WARNING**

**Before each usage or assembly, inspect the crib for damaged hardware, loose joints, missing parts or sharp edges.**

**DO NOT use crib if any parts are missing or broken.**

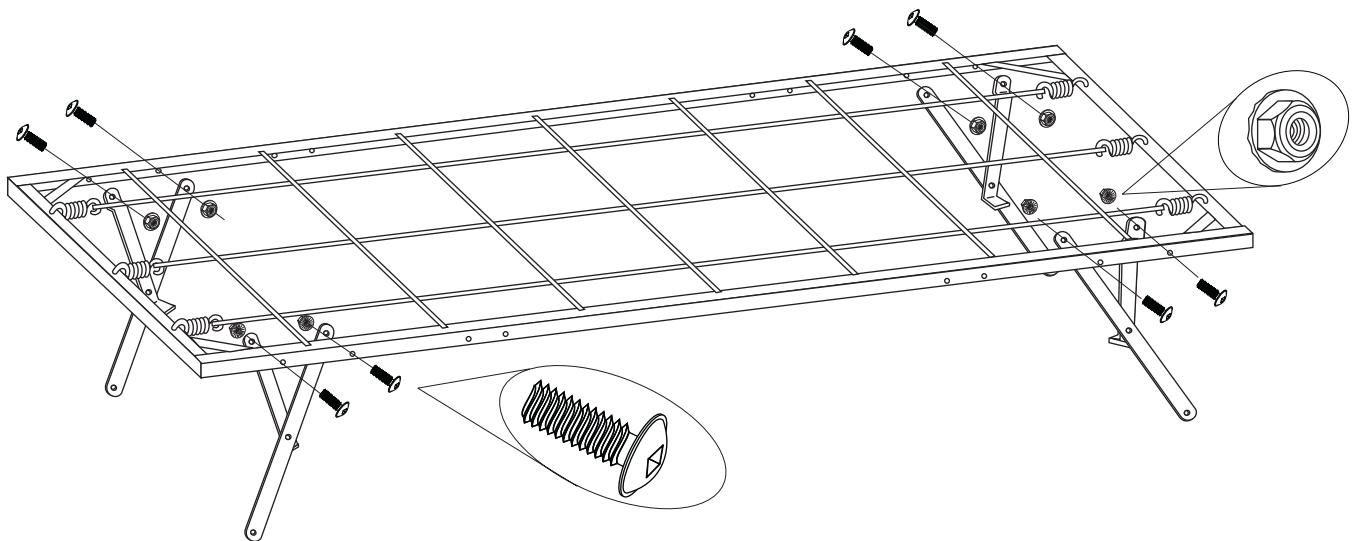
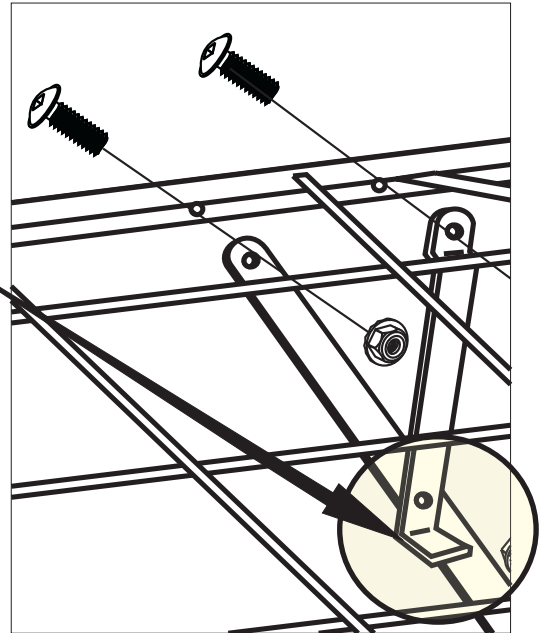
**Contact your dealer, or Mother Hubbard's Cupboards furniture.**

## **CRIB ASSEMBLY INSTRUCTIONS**

**STEP 1** Create the mattress support sub-assembly. Use the screw and nut for the scissors mechanism. Identify the scissors mechanism appropriate for each corner. The short arm has a small portion bent 90°. This portion should face the interior of the mattress support. The short arm should be the one closest to the corner.

**The scissors mechanism should be mounted on the inside of the mattress support frame.**

**TIGHTEN FULLY**



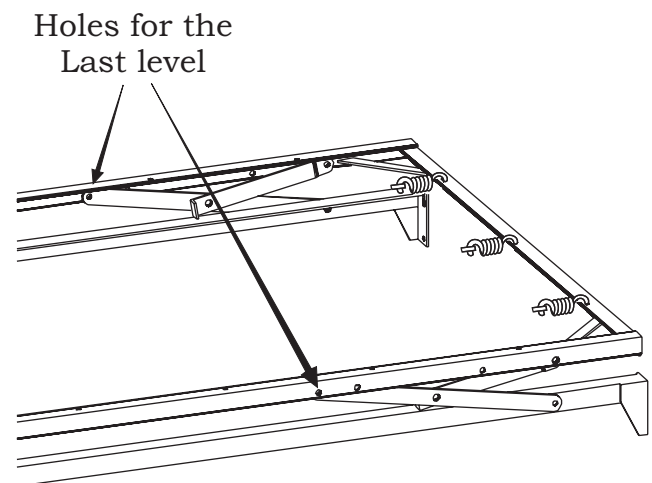
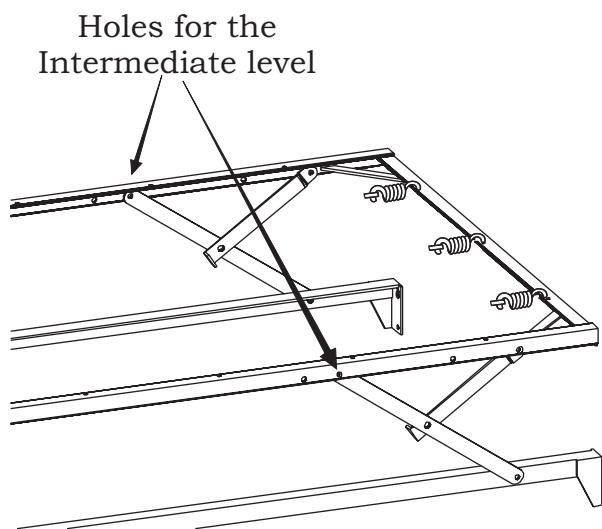
The mattress support assembly as seen in the above illustration is at the highest position available. This position should be used first. As the baby grows, the mattress support assembly should be lowered to prevent the possibility of the baby falling out of the crib. The instructions for lowering the mattress support assembly are on page 6.

## INSTRUCTIONS FOR LOWERING THE MATTRESS SUPPORT ASSEMBLY

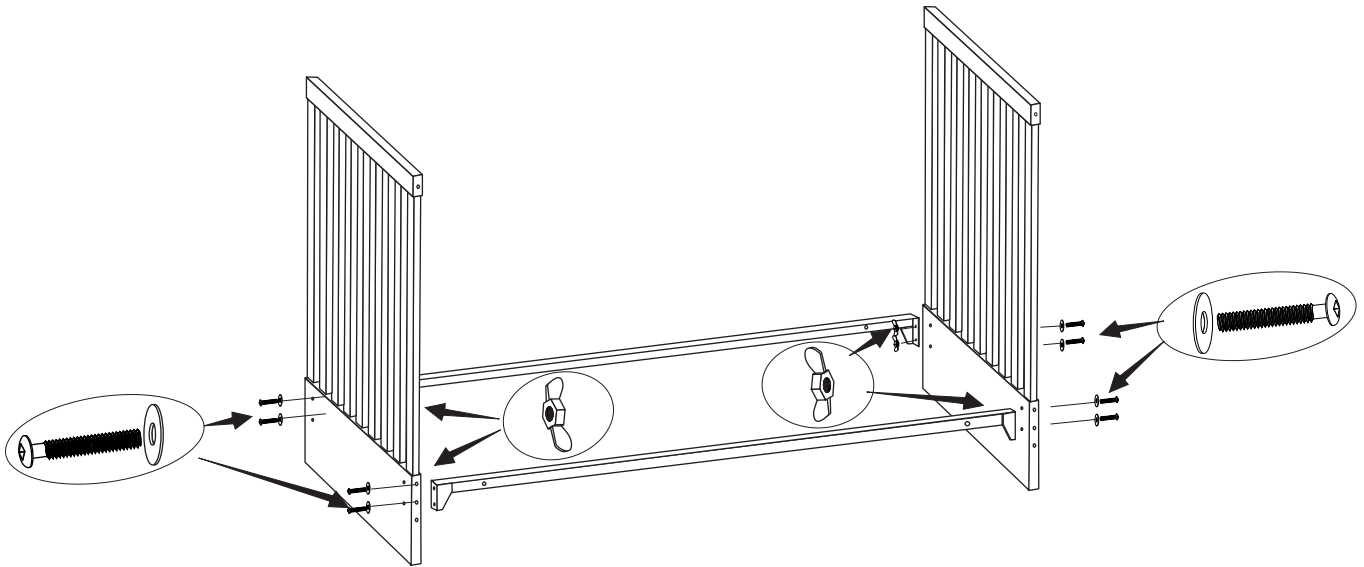
Our company offers a mattress support assembly that can be lowered two levels. This gives our customers the possibility of using our product for an extended period of time.

To lower the mattress support assembly you should follow these steps:

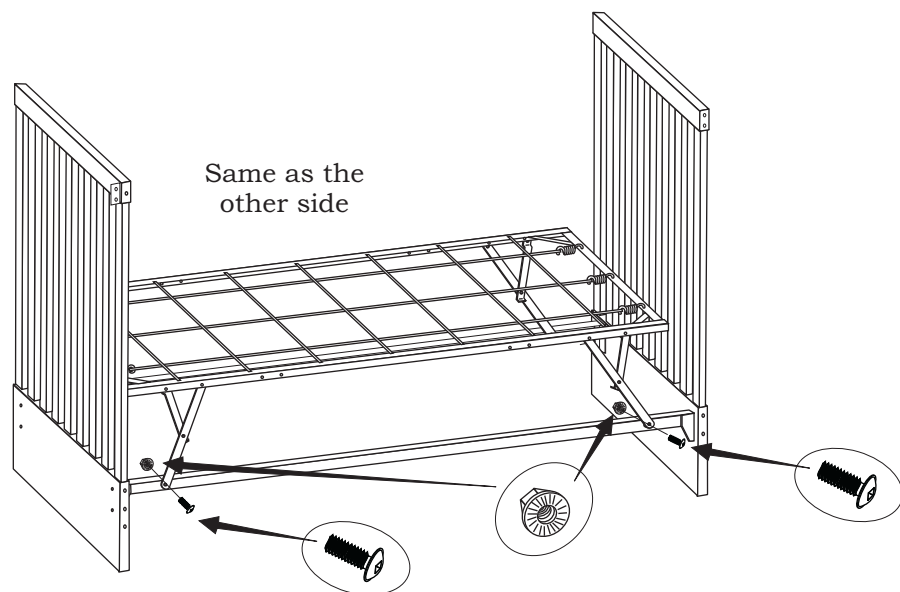
- Remove the mattress and all the objects from the crib
- Remove the Front Side and the Back Side
- Loosen up the screws that attach the mattress support assembly to the stabilizer bar as well as the screws attaching the small arm to the mattress frame (closer to the corner)
- Remove the screws that attach the long arm to the mattress frame
- Identify the holes in the mattress frame to be used for lowering the support assembly (there are two holes about 30cm from the corner). The closest one to the corner is used for Intermediate Level and the second for the Last Level
- After deciding how much would you like to lower the mattress assembly, align the hole on the long arm of the scissors mechanism with the hole on the mattress frame and insert the screw. Tighten the nut.
- Proceed with the same method for all corners
- Tighten fully all screws
- Reattach the Back and Front Side



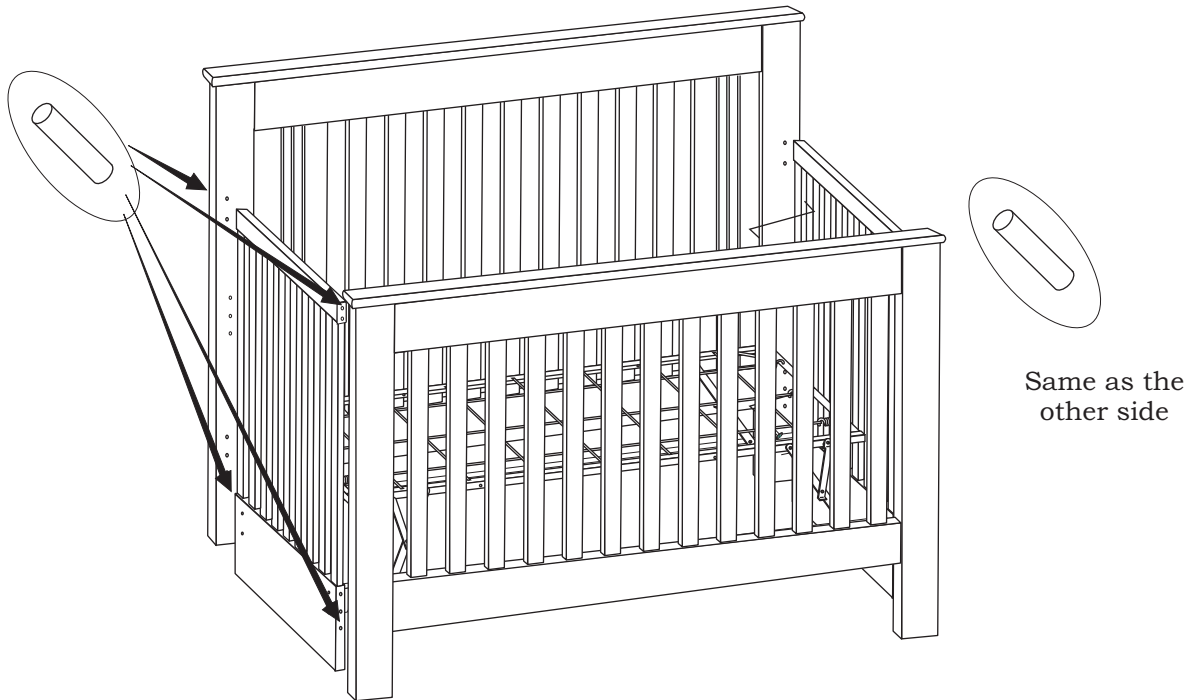
**STEP 2** Attach the two Stabilizer Bars to their designated holes on the Headboard and Footboard. Insert the Screws for the Stabilizer Bars in the holes visible from the outside of the Headboard and Footboard. Use the Wing Nuts. **FULLY TIGHTEN**



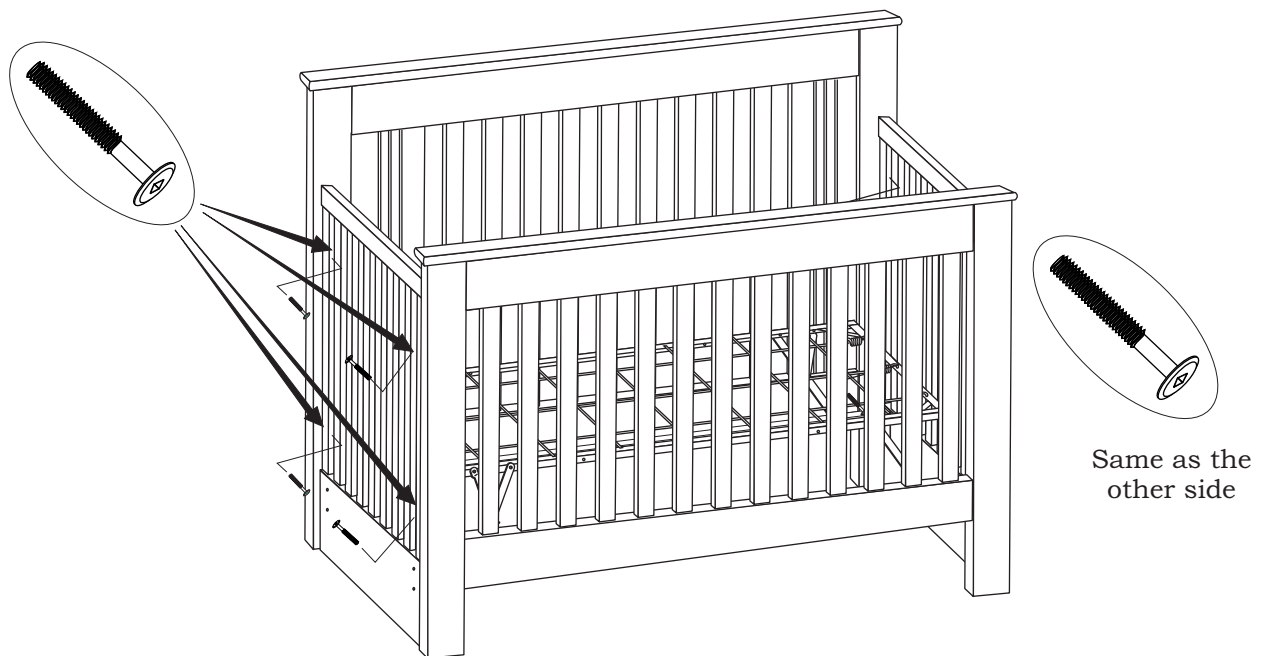
**STEP 3** Attach the mattress support sub-assembly to the Stabilizer Bars.



**STEP 4** Insert the dowels in the holes on the Side Boards.  
Install the Head Board, match the holes and press the parts together.



**STEP 5** Use the Screw for the Side Boards to tighten the assembly. The same has to be repeated for the foot board. **TIGHTEN FULLY!**



**WARNING****FAILURE TO FOLLOW THESE WARNINGS AND ASSEMBLY INSTRUCTIONS  
COULD RESULT IN SERIOUS INJURY AND DEATH**

- Always ensure a safe environment for the child. Check that every component is properly secured and in place, before placing the child in the crib.
- The crib has an adjustable spring, which serves as a mattress support. For the convenience of the mother when the baby is very small, the spring may be used in the highest position.
- After raising side, make sure latches are secure!
- **IMPORTANT** - With the spring and mattress in their highest position and the mobile frame in the lowered position, be absolutely sure the top of the drop-side is at least 3 inches (7.6 cm) higher than the top surface of mattress. If it is not, lower the spring and mattress to the next highest position and check again.
- When your child is beginning to push up on its hands and knees or is 5 month of age, whichever occurs first, remove all toys which are strung across crib area. These toys cause STRANGULATION!
- When your child is able to pull into a standing position, set the mattress to it's lowest position and remove bumper pads, larger toys and other objects that could serve as steps for climbing our.
- When the child is able to climb out, or reaches the height of 35 inches (90centimeters), the crib should no longer be used. The child should then be placed in a youth or regular bed.
- Strings can cause strangulation! DO NOT place items with a string around the child's neck, such as hood strings or pacifier cords. DO NOT suspend strings over crib or attach strings to toys.
- Any mattress used in the crib must be at least 27 1/4 inches (69 centimeters), by 51 5/8 inches (131 centimeters) with a thickness not exceeding 6 inches (15 centimeters). The dimensions of mattress shall be taken from seam to seam or edge to edge where appropriate.
- Never use plastic shipping bags or plastic film as mattress, covers because they can cause suffocation.
- **DO NOT** place crib near window where cords from blinds or drapes may strangle a child.
- **DO NOT** place the child in crib with drop-side down. Be sure mobile frame is raised and in locked position whenever the child is in the crib.
- **DO NOT** use a water mattress with this crib.
- Contact Mother Hubbard's Cupboards for replacement parts and instructional literature if Needed.
- When disassembling this crib, **DO NOT** remove any item attached with wood screws.
- If refinishing, use a non-toxic finish specified for children's products.
- Use a vaporizer near furniture will cause the wood to swell and finish to peel.