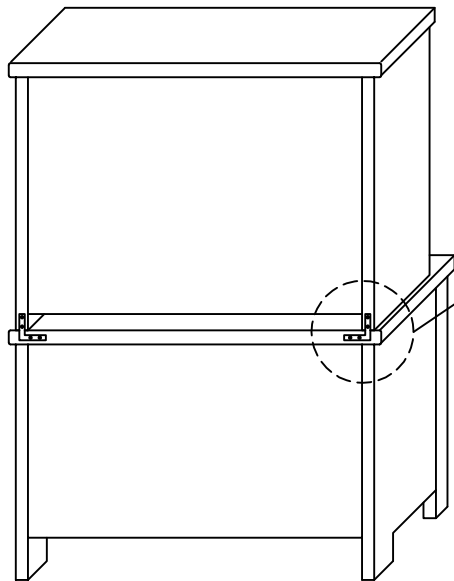


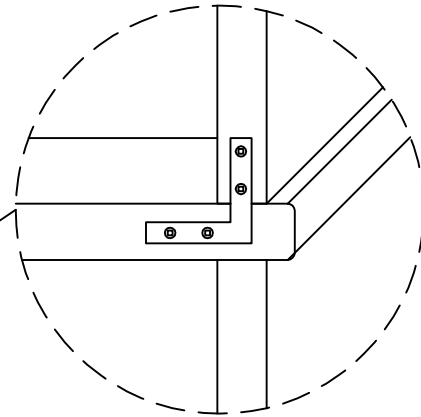


Mother Hubbard's
bedrooms of your dreams for babies, tots, & teens
www.mhcfurniture.com

Hutch Installation Instructions

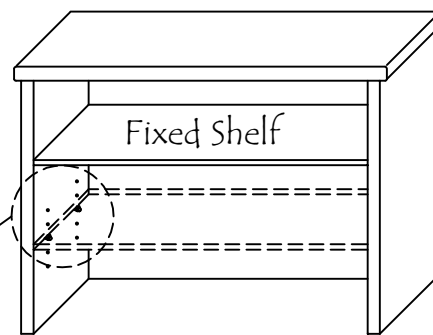
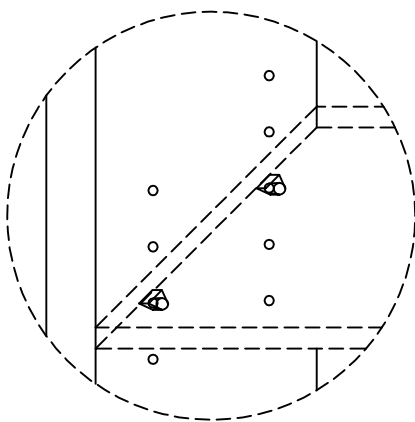


Back view of Hutch & Dresser



Included: 8 x 3/4" screws

- 1) Place **L-Bracket** as shown on diagram
- 2) Use provided **screws** to secure into **pre-drilled** holes



Front view of Hutch

Included: 4 x shelf pins, 1 adjustable shelf

- 1) Place **shelf pins** into **pre-drilled** holes at desired height on both sides
- 2) Place adjustable **shelf on top** of secured shelf pins