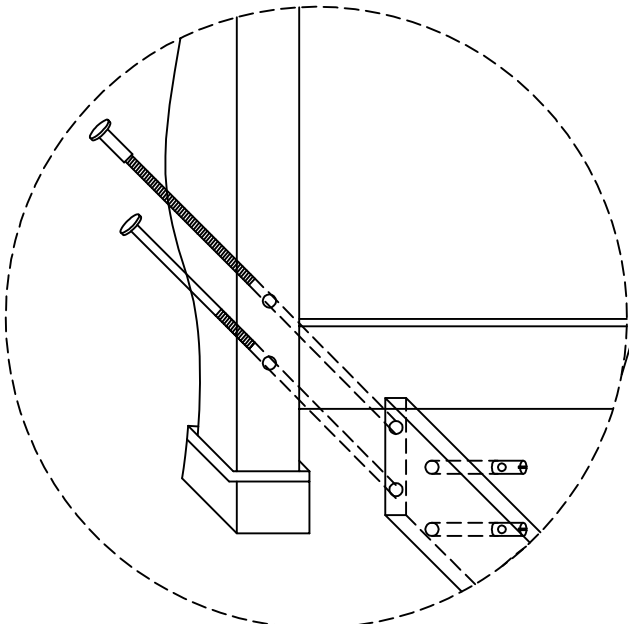
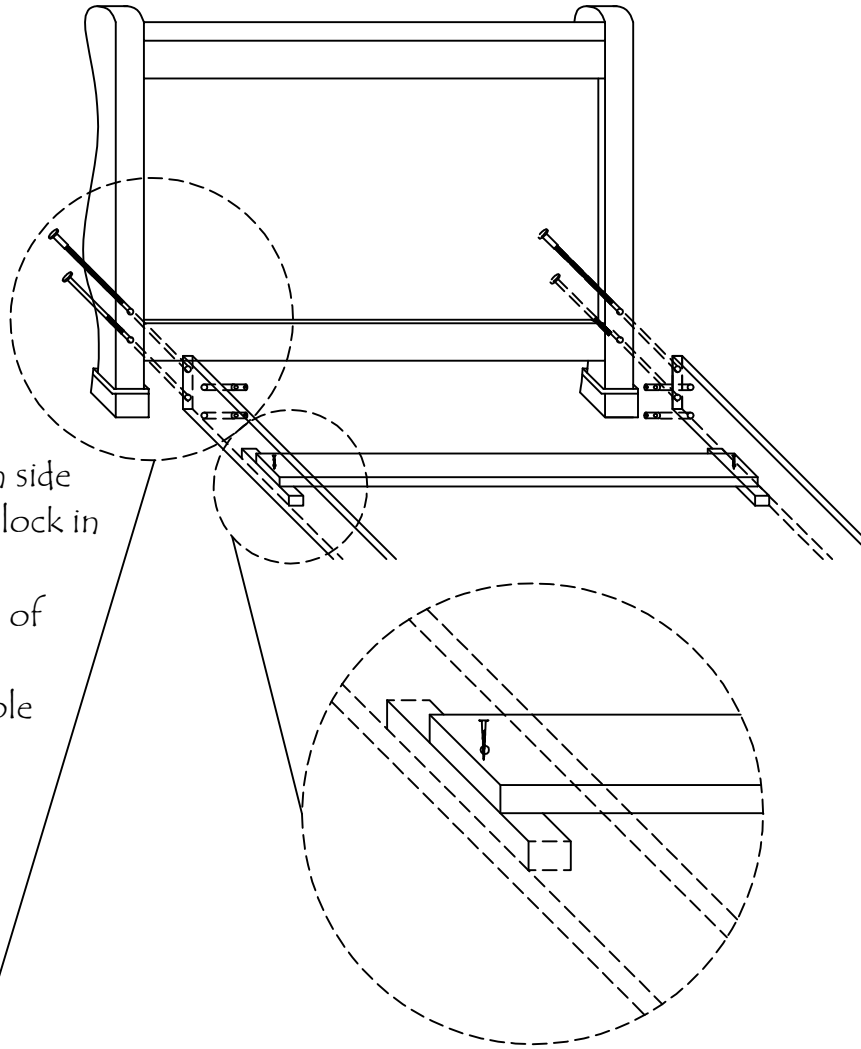




Conversion Kit Tuscany Series Installation Instructions



- 1) Insert **long pin with cap** into **top pre-drilled** hole of headboard.
- 2) Insert **cylinder lock** into **top pre-drilled** hole in side rail and **slide long pin** into place, **turn cylinder** to lock in place.
- 3) Insert **shorter pin** into **bottom pre-drilled** hole of headboard.
- 4) Insert **cylinder lock** into **bottom pre-drilled** hole in side rail and **slide shorter pin** into place, **turn cylinder** to lock into place.



Included: 6 bed rails, pre-drilled
6 x 1-1/2" screws for rails

- 1) Place bed rail **centered** on lip of side rails on **both sides** of bed as shown on diagram
- 2) **Screw** into place using provided screws into **pre-drilled** holes